

PRELIMINARY
NOT FOR CONSTRUCTION

project title:

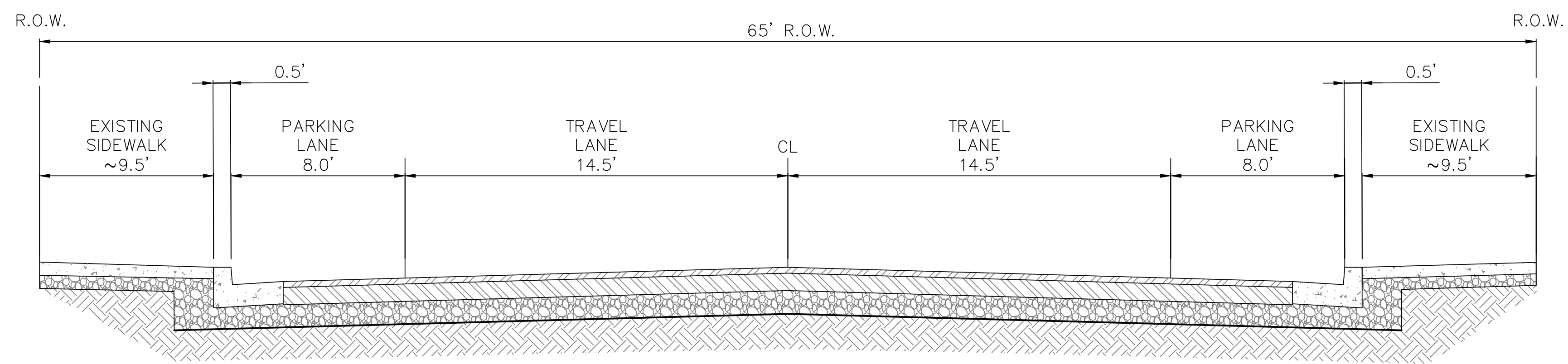
EAST MAIN STREET IMPROVEMENTS
COTTAGE GROVE, OREGON

revisions:

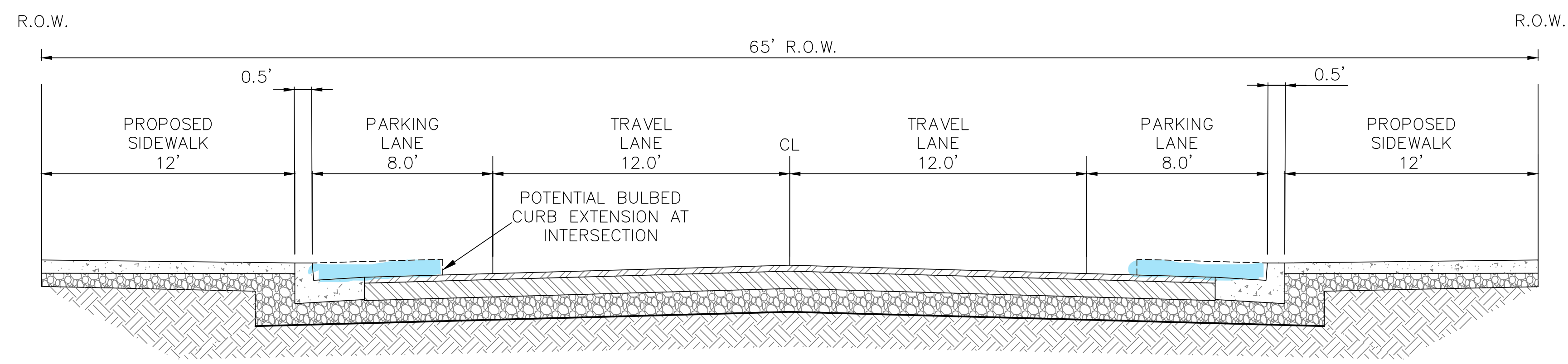
date: JAN. 31, 2023
drawn by: KS
designer: NP
project no: 22-001H

SECTION
VIEWS

sheet:
C-0



① MAIN STREET TYPICAL CROSS SECTION - EXISTING CONDITIONS



② MAIN STREET TYPICAL CROSS SECTION - PROPOSED

LAYOUT OF IMPROVEMENTS IS PRELIMINARY AND SUBJECT TO NECESSARY
ADJUSTMENTS BASED ON VARIABLES DURING THE DESIGN PROCESS.

PRELIMINARY
NOT FOR CONSTRUCTION

project title:

EAST MAIN STREET IMPROVEMENTS

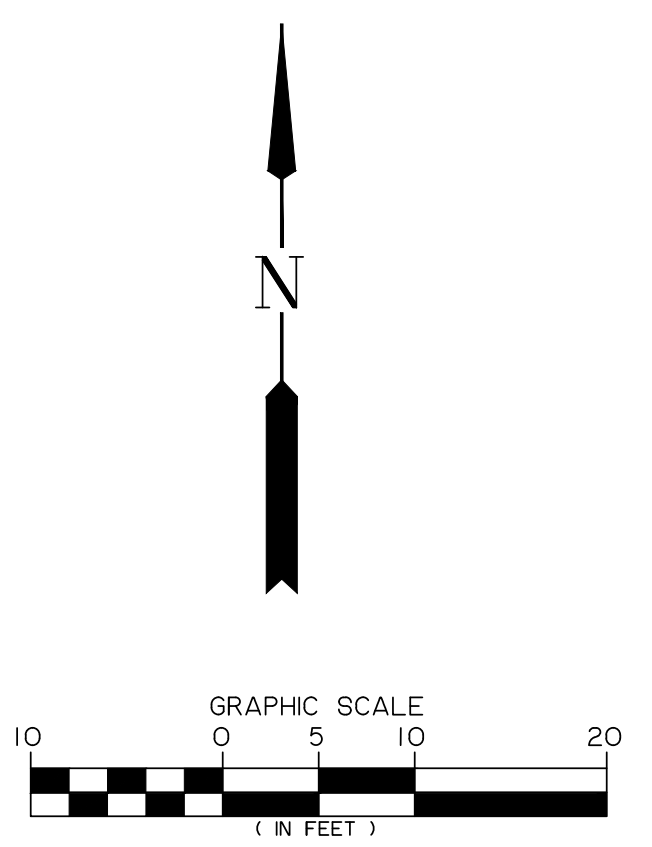
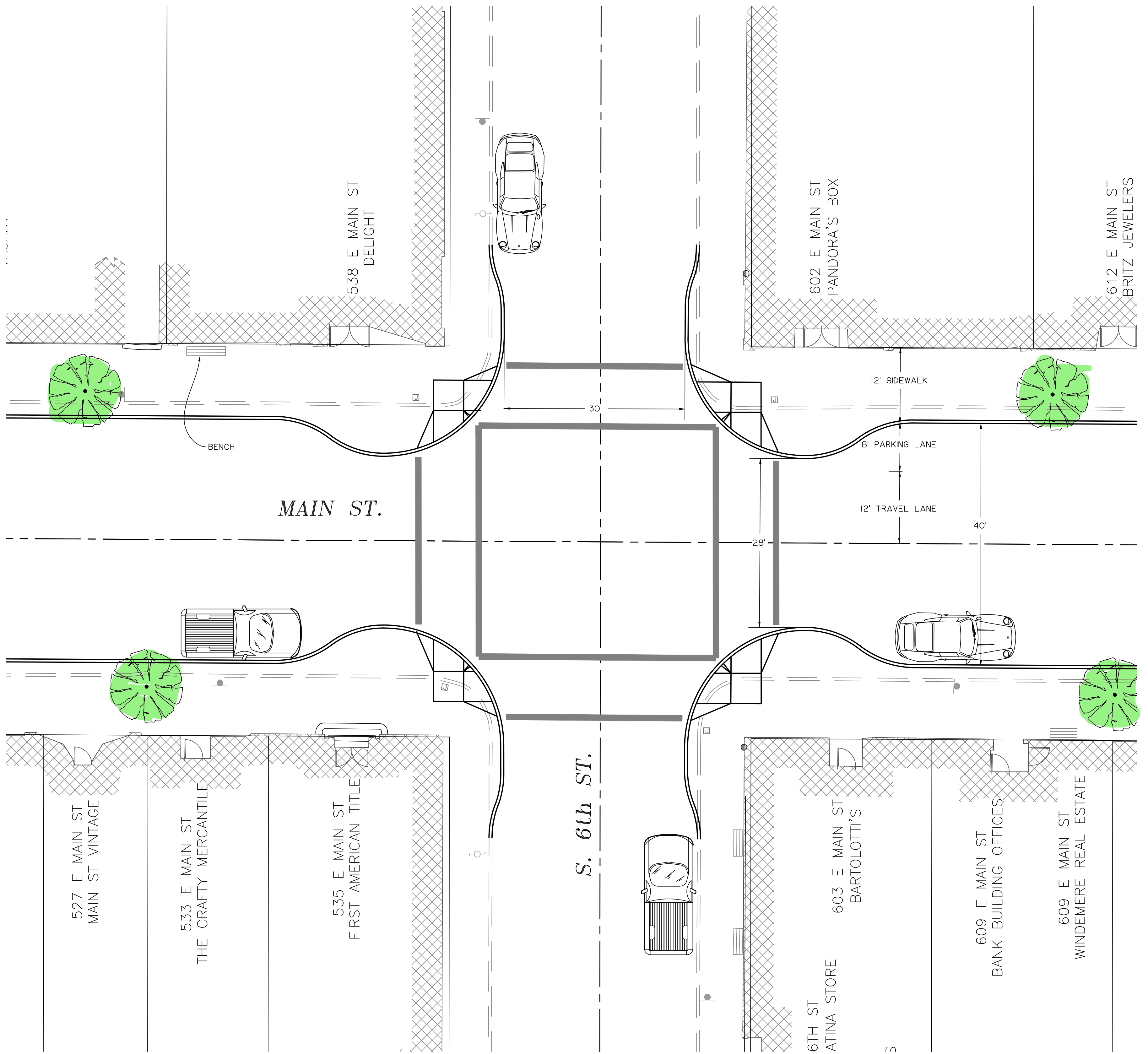
COTTAGE GROVE, OREGON

revisions:

date: JAN. 31, 2023
drawn by: KS
designer: NP
project no: 22-001H

**PROPOSED
INTERSECTION**

sheet: **C-1**



LAYOUT OF IMPROVEMENTS IS PRELIMINARY AND SUBJECT TO NECESSARY
ADJUSTMENTS BASED ON VARIABLES DURING THE DESIGN PROCESS.

PRELIMINARY
NOT FOR CONSTRUCTION

project title:

EAST MAIN STREET IMPROVEMENTS

COTTAGE GROVE, OREGON

revisions:

date: JAN. 31, 2023
drawn by: KS
designer: NP
project no: 22-001H

EXISTING
STREET TREES
&
STREET LIGHTS

sheet: **C-2**



LAYOUT OF IMPROVEMENTS IS PRELIMINARY AND SUBJECT TO NECESSARY ADJUSTMENTS BASED ON VARIABLES DURING THE DESIGN PROCESS.

Z:\2022\22-001H Cottage Grove Main St\Drawings\22-001H Main Street Layout (2).DWG 1/31/2023 10:55 AM KEWES

PRELIMINARY
NOT FOR CONSTRUCTION

project title:

EAST MAIN STREET IMPROVEMENTS
COTTAGE GROVE, OREGON

revisions:

date: JAN. 31, 2023
drawn by: KS
designer: NP
project no: 22-001H

EXISTING
STREET TREES
&
STREET LIGHTS

sheet: **C-3**



Z:\2022\22-001H Cottage Grove Main St\Drawings\22-001H Main Street Layout (2).DWG 1/31/2023 10:55 AM KEAWES

PRELIMINARY
NOT FOR CONSTRUCTION

project title:

EAST MAIN STREET IMPROVEMENTS

COTTAGE GROVE, OREGON

revisions:

date: JAN. 31, 2023
drawn by: KS
designer: NP
project no: 22-001H

**PROPOSED
STREET TREES**

sheet: **C-4**



LAYOUT OF IMPROVEMENTS IS PRELIMINARY AND SUBJECT TO NECESSARY
ADJUSTMENTS BASED ON VARIABLES DURING THE DESIGN PROCESS.

Z:\2022\22-001H Cottage Grove Main St\Drawings\22-001H Main Street Layout (2).DWG / 31/2023 16:55 AM KEWES

PRELIMINARY
NOT FOR CONSTRUCTION

project title:

EAST MAIN STREET IMPROVEMENTS
COTTAGE GROVE, OREGON

revisions:

date: JAN. 31, 2023
drawn by: KS
designer: NP
project no: 22-001H

**PROPOSED
STREET TREES**

sheet: **C-5**



Z:\2022\22-001H Cottage Grove Main St\Drawings\22-001H Main Street Layout (2).DWG 1/31/2023 10:55 AM KEAWES